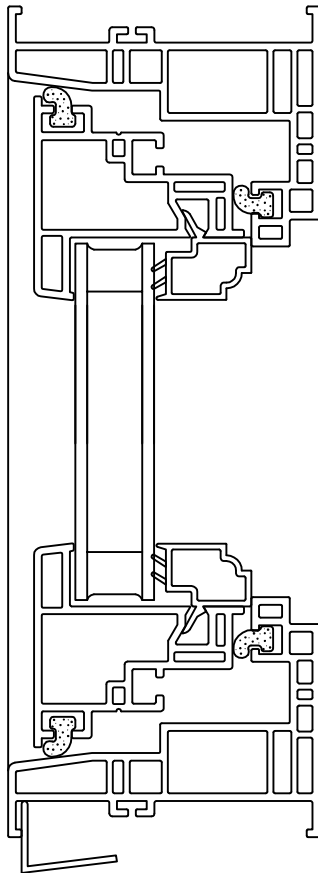
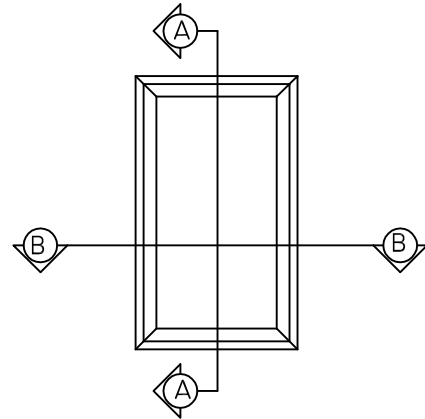


SECTION "B-B"
NOT TO SCALE



SECTION "A-A"
NOT TO SCALE



VinylPro 2000™
PICTURE WINDOW
WELDED ASSEMBLY



WINDOW CORP.

Route 100, Pascoag, Rhode Island 02859

TEL: (401) 568-3061

FAX: (401) 568-2273

www.lockheedwindow.com

Form #745
Rev 1/09