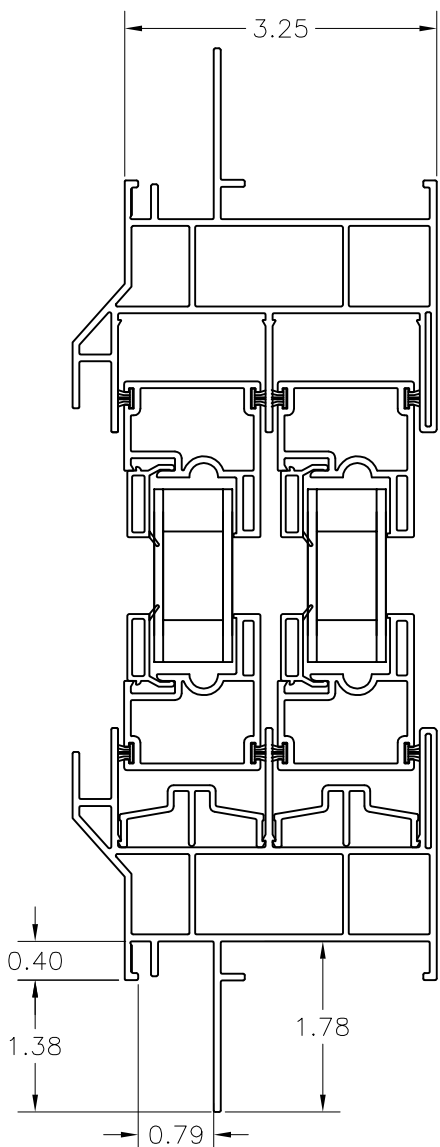
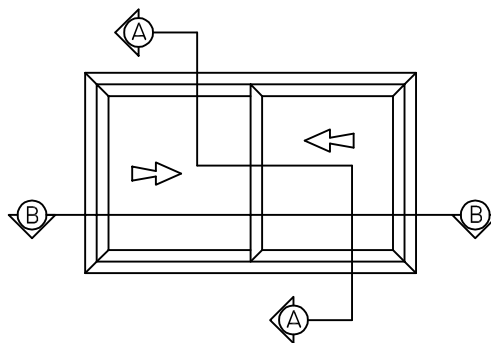


**SECTION "B-B"**  
 NOT TO SCALE



**SECTION "A-A"**  
 NOT TO SCALE



**NUCON<sup>®</sup>**  
 TWO-LITE SLIDER  
 NEW CONSTRUCTION WINDOW  
 WELDED ASSEMBLY  
 WITHOUT "J" CHANNEL

NOT TO SCALE



WINDOW CORP.

Route 100, Pascoag, Rhode Island 02859  
 TEL: (401) 568-3061  
 FAX: (401) 568-2273  
[www.lockheedwindow.com](http://www.lockheedwindow.com)

Form #530A  
 Rev 1/09