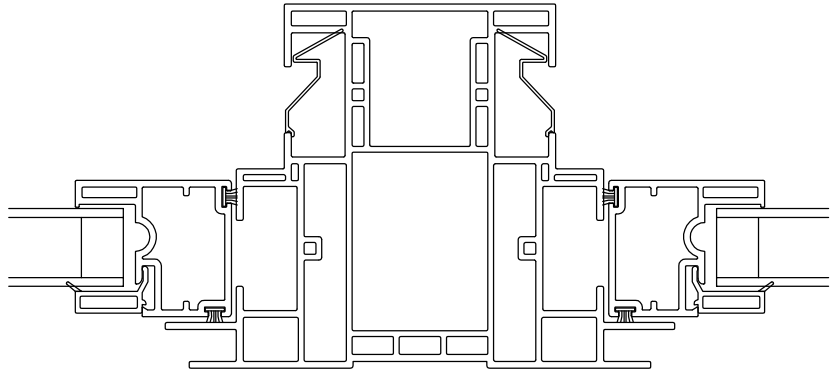
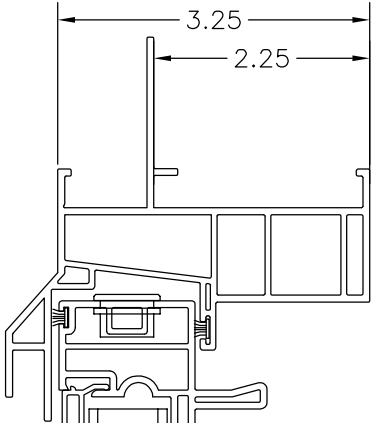
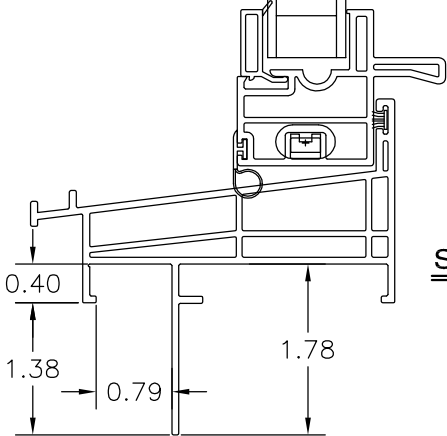
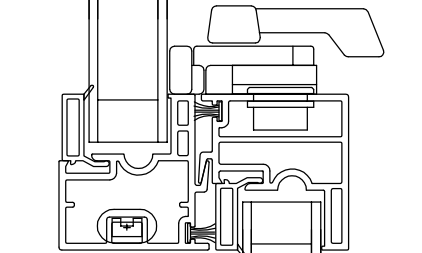


**DETAIL "B"**  
NOT TO SCALE

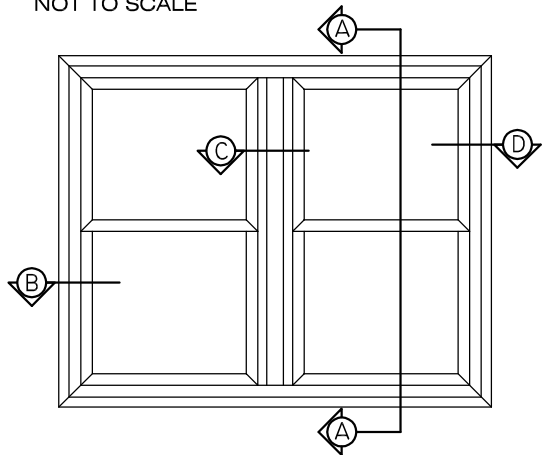
**DETAIL "D"**  
NOT TO SCALE



**DETAIL "C"**  
NOT TO SCALE



**SECTION "A-A"**  
NOT TO SCALE



**NUCON<sup>®</sup>**  
DOUBLE HUNG  
NEW CONSTRUCTION WINDOW  
WELDED ASSEMBLY  
WITHOUT "J" CHANNEL  
WITH INTEGRAL MULLION

NOT TO SCALE



WINDOW CORP.

Route 100, Pascoag, Rhode Island 02859  
TEL: (401) 568-3061  
FAX: (401) 568-2273  
[www.lockheedwindow.com](http://www.lockheedwindow.com)

Form #525C  
Rev 8/09