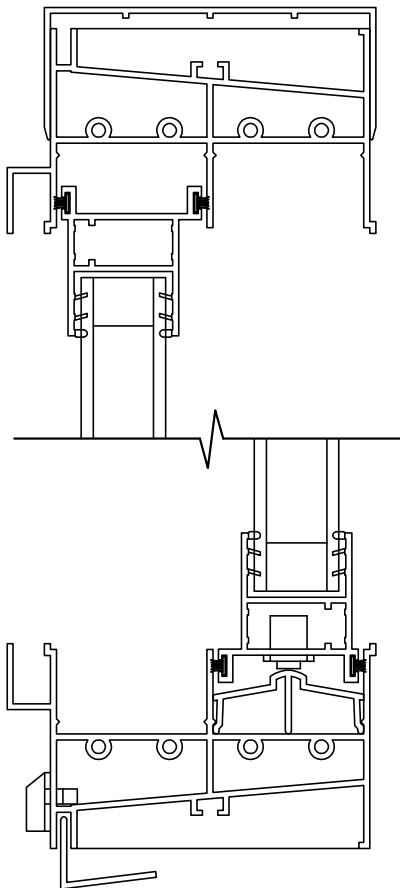
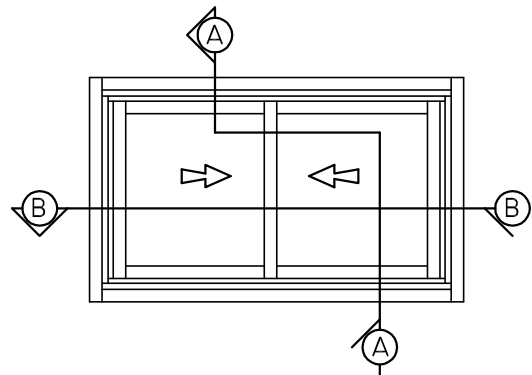


SECTION "B-B"



SECTION "A-A"



VinyLock[®]
 TWO-LITE SLIDER
 REPLACEMENT WINDOW
 MECHANICAL ASSEMBLY



WINDOW CORP.

Route 100, Pascoag, Rhode Island 02859

TEL: (401) 568-3061

FAX: (401) 568-2273

www.lockheedwindow.com

Form #729
 Revised 5/06