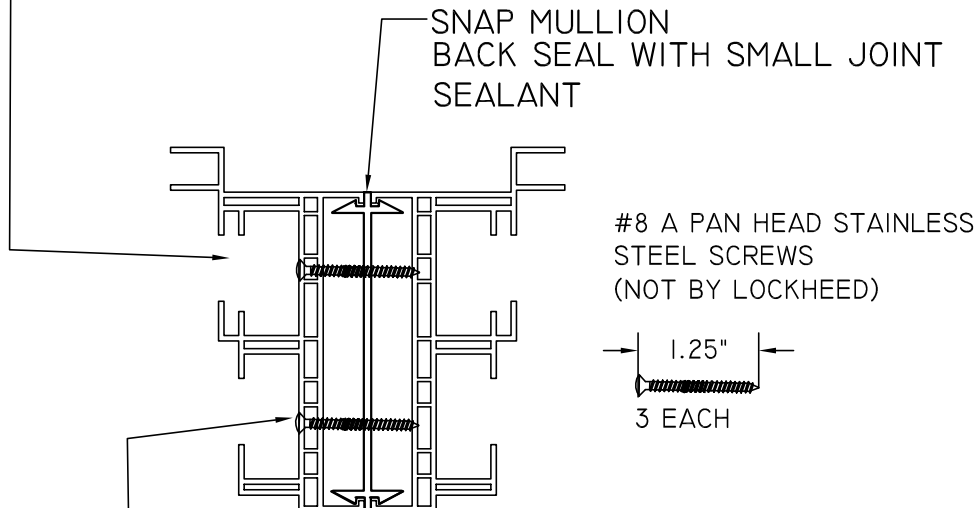


MULLING VINYLLOCK[®] DOUBLE HUNG REPLACEMENT
 WINDOWS TO A VINYLLOCK[®] REPLACEMENT PICTURE
 WINDOW TO A VINYLLOCK[®] DOUBLE HUNG
 REPLACEMENT WINDOW UTILIZING SNAP MULLIONS

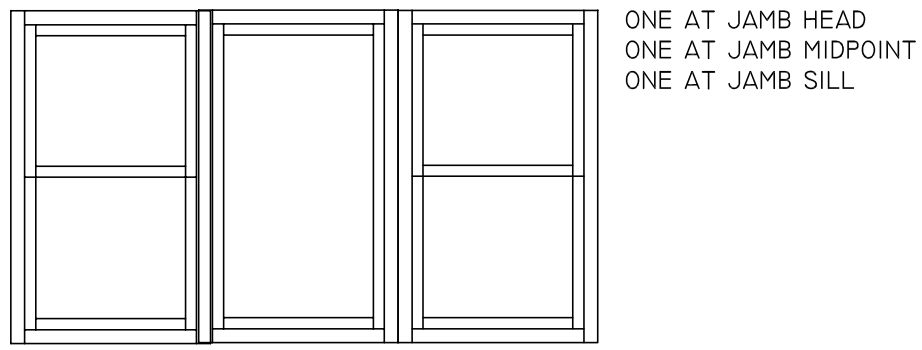
PLACE SCREW AT JAMB SILL SECTION INTO
 FACTORY PREPUNCHED INSTALLATION HOLES



PLACE SCREW AT JAMB HEAD SECTION INTO FACTORY
 PREPUNCHED INSTALLATION HOLE

REMOVE WAFER HEAD JAMB ADJUSTER FROM EACH MULLED JAMB
 AND PLACE SCREW INTO FACTORY PREPUNCHED HOLE

THERE SHOULD BE A TOTAL OF THREE SCREWS PER MULLION ASSEMBLY



NOT TO SCALE



WINDOW CORP.

Route 100, Pascoag, Rhode Island 02859
 TEL: (401) 568-3061
 FAX: (401) 568-2273
www.lockheedwindow.com

Form #695
 Revised 5/06