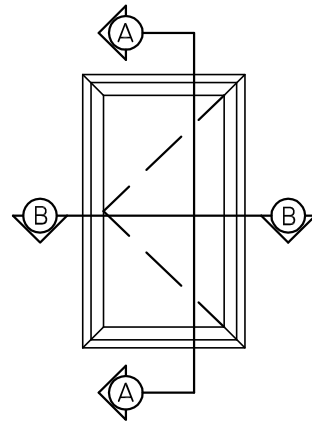


SECTION "B-B"
NOT TO SCALE



NUCON[®]
CASEMENT
NEW CONSTRUCTION WINDOW
WELDED ASSEMBLY
WITHOUT "J" CHANNEL

SECTION "A-A"
NOT TO SCALE



WINDOW CORP.

Route 100, Pascoag, Rhode Island 02859
TEL: (401) 568-3061
FAX: (401) 568-2273
www.lockheedwindow.com

Form #540A
Revised 4/04