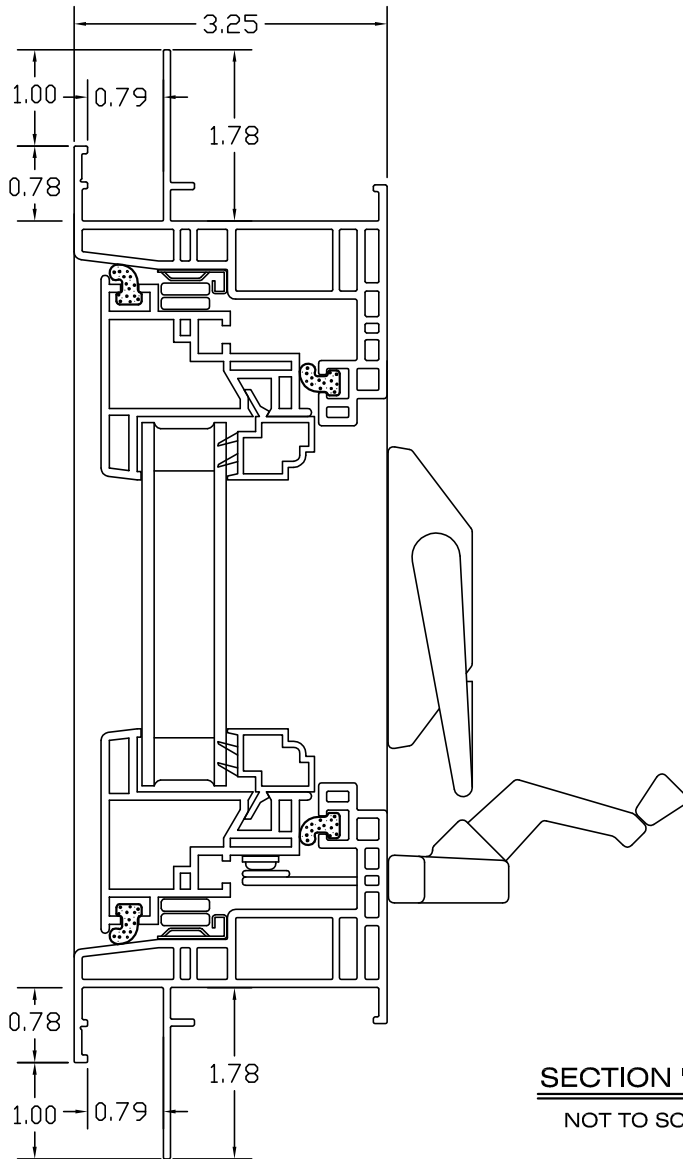
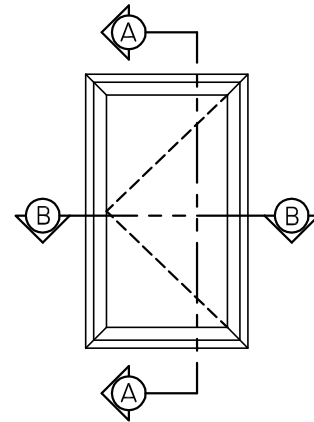


SECTION "B-B"
NOT TO SCALE



SECTION "A-A"
NOT TO SCALE



NUCON[®]
CASEMENT
NEW CONSTRUCTION WINDOW
WELDED ASSEMBLY
WITH "J" CHANNEL



WINDOW CORP.

Route 100, Pascoag, Rhode Island 02859

TEL: (401) 568-3061

FAX: (401) 568-2273

www.lockheedwindow.com

Form #540
Revised 1/07