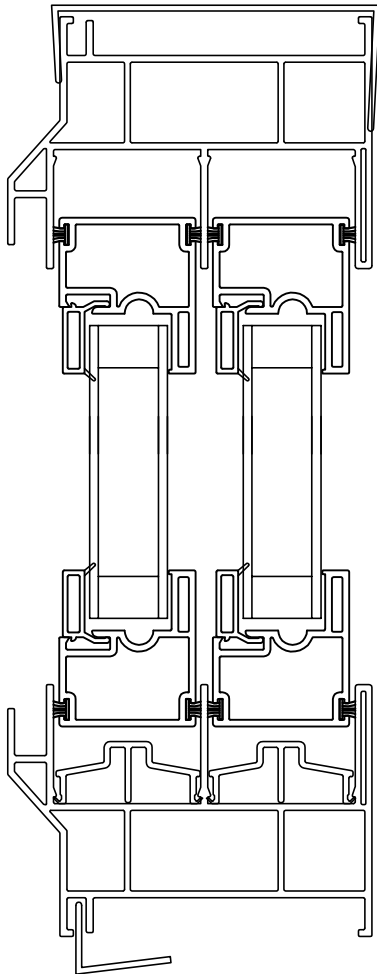
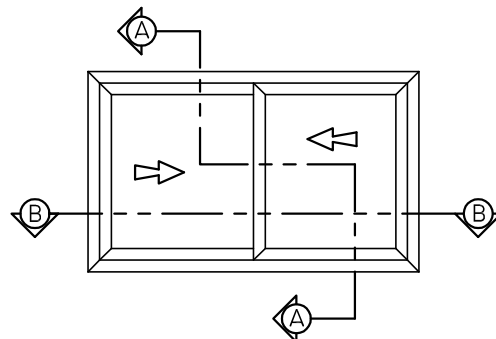


SECTION "B-B"



SECTION "A-A"



MONARCH™
 TWO-LITE SLIDER
 WELDED FRAME
 WELDED SASH



WINDOW CORP.

Route 100, Pascoag, Rhode Island 02859

TEL: (401) 568-3061

FAX: (401) 568-2273

www.lockheedwindow.com

Form #510
 Revised 1/07